

GT7.2x00

GT7.3x00

Multifunctional RFID Terminal

FACTS AT A GLANCE

- App concept that allows the desired application (Access, Time, Info, ...) to be loaded into the hardware or simply exchanged
- Customized app development for selected partners also possible
- Cloud-based G7 Connect platform with integrated authorization system for configuration, firmware, and app updates for single or multiple devices/projects
- 4.3" color display with capacitive touchscreen for intuitive user guidance and operation
- Contactless multitechnology reader for all popular RFID technologies and NFC data carriers
- Web interface in the device
- Power supply via Ethernet (PoE) possible
- Slim housing design
- Easy installation and convenient Plug&Play commissioning
- Available with fingerprint reader for increased security
- Integrated speaker for user feedback



The GT7 terminal, available with and without fingerprint sensor, impresses with highlights including identification via RFID, NFC, or wireless interface, and the unique app concept that is uploaded to the universal hardware.

The respective app determines whether the reader is used as an access terminal (access control for doors, turnstiles), a time terminal (time control function for solariums, whirlpools), an info terminal (display of locker or visitor information), an enrollment terminal (scanning of fingerprint templates), a central locker terminal (central control of networked locker locks), a customer feedback terminal (carrying out customer surveys), or a countdown terminal (control of showers, vibration plates).

The clear 4.3" color display with intuitive capacitive touchscreen, Power over Ethernet (PoE) function, the integrated speaker as well as the elegantly modern, slim design make the GANTNER GT7 device generation a real must-have.



Order Information

Description	Part No.
GT7.2x00 Multi-functional RFID terminal, with Access App (for other apps, see G7 Device License Point), color touchscreen, Ethernet, PoE, 1 relay output, 1 status input	
GT7.2300 LEGIC advant RFID reader and Proxy reader (125 kHz)	1106123
GT7.2500 ISO 14443 (MIFARE®) and ISO 15693 RFID reader	919128
GT7.2700 LEGIC advant RFID reader, Proxy reader (125 kHz), and HID iCLASS®	1105512
GT7.3x00 Multi-functional RFID terminal, with Access App (for other apps, see G7 Device License Point), color touchscreen, Ethernet, PoE, 2 relay outputs, 1 status input, Wiegand, RS-232, RS-485, and WiFi interfaces	
GT7.3300 LEGIC advant RFID reader and Proxy reader (125 kHz)	1106119
GT7.3500 ISO 14443 (MIFARE®) and ISO 15693 RFID reader	919229
GT7.3700 LEGIC advant RFID reader, Proxy reader (125 kHz), and HID iCLASS®	1105514

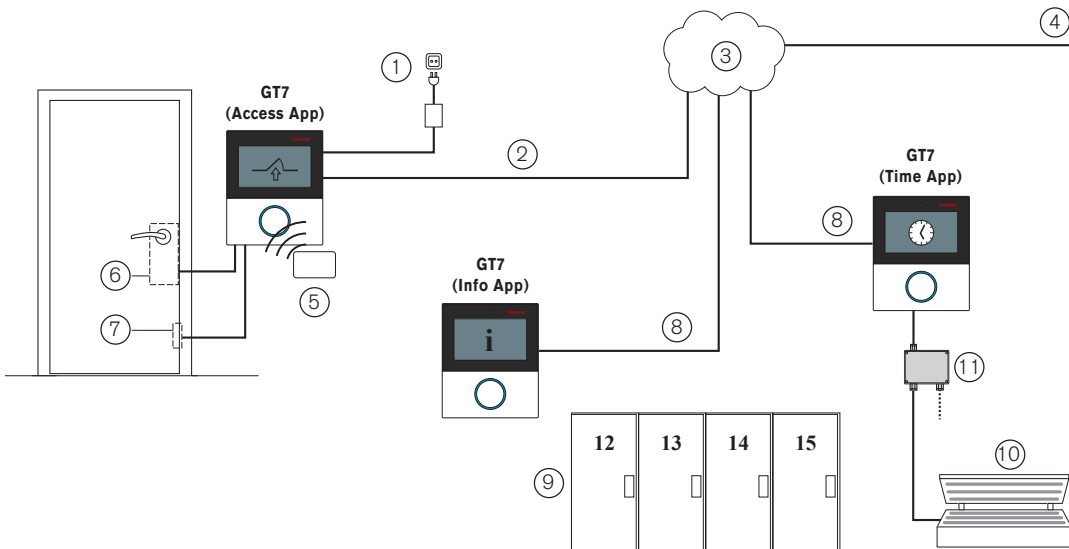
Accessories

Description	Part No.
GT7b.2000 Fingerprint module for the GT7.2x00 and GT7.3x00	982936
GPS7.3092 0.7A-1 Socket power supply including country-specific adapter for EU, UK, USA, Australia Output: 24 V DC/0.75 A with open ends, Input: 100-240 V AC, 50/60 Hz	1108279
GPS7.1002 1.5A Power supply, power cord not included (see next accessory) Output: 24 V DC/1.5 A max., Input: 100-240 V AC, 50/60 Hz	1100872
Power Cord 2m EU CH – IEC 60320 C7	494181
Power Cord 2m UK – IEC 60320 C7	494282
Power Cord 2m AUS – IEC 60320 C7	511474
Power Cord 2m USA – IEC 60320 C7	636835
Power Cord 2m IND – IEC 60320 C7 Power cord suitable for different power outlet types	636734
PoE Injector 1 Port EU TL-150S Power over Ethernet Injector, 1 Port, 15.4 Watt, dimensions: 81x23x51 mm, incl. EU Power Supply	1100733
GT7 Ethernet-POE Cable 25 cm CAT. 5 cable with RJ45 plug and Ethernet/POE screw terminals, length: 25 cm	1103383
GT7.2500 Demo Kit GT7.2500 demo terminal mounted on an acrylic holder, incl. PoE Injector and power supply	1101976
GT7.3500 Demo Kit GT7.3500 demo terminal mounted on an acrylic holder, incl. PoE Injector and power supply	1100790
BarcodeScanner ATR 110 - prefabricated 1D and 2D barcode scanner, desktop version, dimensions: 121 x 96 x 81 mm, RS-232 interface, open-ended wires, wiring length 300 mm, preconfigured	1102738

Accessories

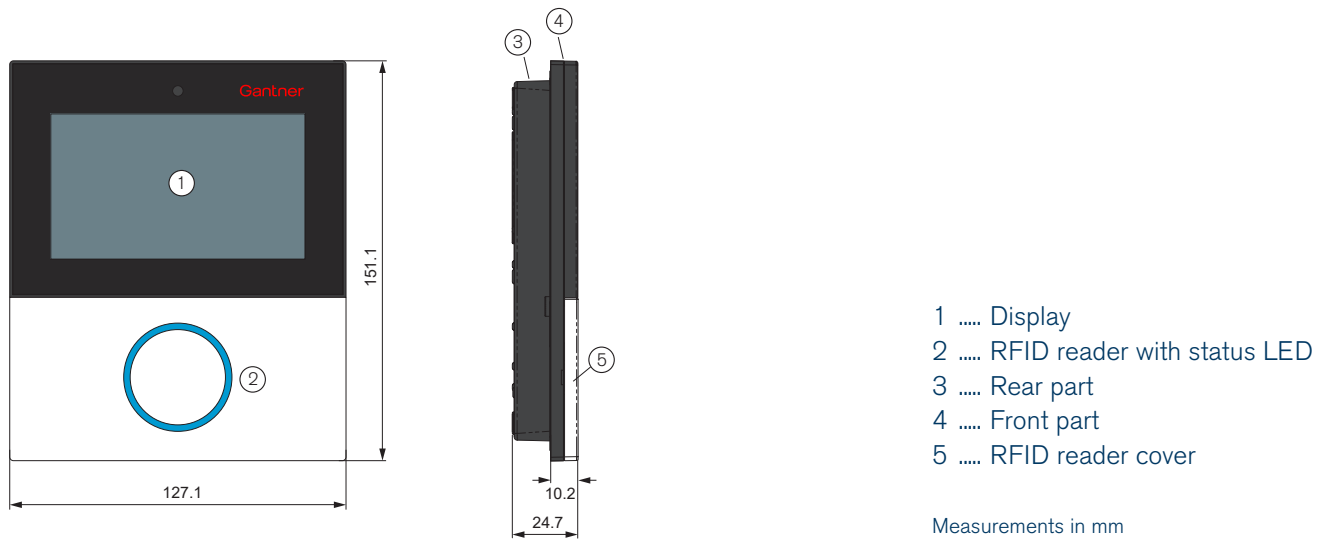
Description	Part No.
G7 Device License Points Info 20 license points for the GT7 to enable the Info App	1102169
G7 Device License Points Time 30 license points for the GT7 to enable the Time App	1102170
G7 Device License Points Advanced Access 30 license points for the GT7 to enable the Advanced Access App	1107096
G7 Device License Points Enrollment 40 license points for the GT7 to enable the Enrollment App	1101973
G7 Device License Points Time & Attendance 40 license points for the GT7 to enable the Time & Attendance App	1105808
G7 Device License Points Central Locker 50 license points for the GT7 to enable the Central Locker App	1103831
G7 Device License Points Open Card 10 license points for the GT7 to disable the certificate check	1101974
G7 Device License Point Number of license points freely selectable for activating apps	1101025
G7 Connect GO - GSC The G7 Connect GO Gantner Service Contract for the use of one device (GT7 or GC7) in G7 Connect	1107095

Typical Application



- | | | |
|---------------------------------|---------------------------------------|--------------------------------|
| 1Power supply | 5RFID data carrier | 9Electronic locker locks |
| 2Network cable (Ethernet) | 6Electronic lock | 10 ..Sunbed (time control) |
| 3Network | 7Door contact | 11 ..Relay box |
| 4To server | 8Network and power supply (PoE) | |

Device Features and Dimensions



Technical Data

Nominal voltage	- Power supply: - PoE:	DC 12/24 V (LPS/SELV) PoE conf. to IEEE 802.3af, performance class 0
Power consumption	- Power supply: - PoE:	900 mA 300 mA
Nominal power:		10 W
Reader type:	- GT7.x 300 : - GT7.x 500 : - GT7.x 700 :	- LEGIC advant and Proxy - MIFARE: Classic (1k and 4k), Ultralight®, DESFire EV1® and EV2®, ISO 15693, Gantner.Connect - LEGIC advant, Proxy and HID iCLASS®
Reader frequency	- RFID: - Proxy: - Wireless interface:	13.56 MHz 125 kHz (GT7.x 300 and GT7.x 700 only) 2.4 GHz
Max. transmit power	- RFID: - Proxy: - Wireless interface:	500 mW 200 mW 3.7 dBm (2.344 mW)
Data storage:		Flash memory for configuration and booking data, wallpaper, and advertisement pictures
Display elements/signaling	- Display: - RFID reader: - Acoustic signaling:	4.3" color display with capacitive touchscreen, resolution 480 x 272 px LED color ring, different colors Speaker
Sensors:		Microphone (GT7.3x00)
Signal input:		1 x optocoupler (function configurable)
Signal output:		GT7.2x00 1 x relay, GT7.3x00 2 x relays (NO, function/timing configurable)
Host interface:		- Ethernet 10/100 Mbps, IPv4 and IPv6 - WLAN (GT7.3x00)
Reader interfaces (GT7.3x00):		- RS-232 (barcode) - RS-485 (GANTNER expansion bus) - Wiegand
Weight:		370 g
Permitted ambient temperature:		-10 to +50 °C
Protection type:		IP 54 (installed state)
Environment class (VdS 2110):		III (conditions in outside areas, protected from weather)
Compliance	- GT7.x 300 , GT7.x 700 : - GT7.x 500 :	CE CE, CB, FCC, IC, ETL, EAC