

REXON GLASS

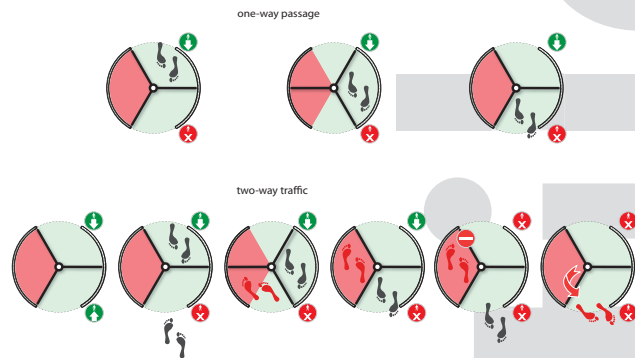
BASIC CHARACTERISTIC



REXON-GLASS is a three-wings turnstile of carousel type with impressive look, made by a combination of stainless construction with glass elements. High quality, trouble-free and easy operation are the hallmarks of the **REXON-GLASS** turnstile making it ideal for high security applications where full automatic identification of people is required. This turnstile is suitable for interiors where a high performance and aesthetics is important demand.

REXON-GLASS is a bi-directional full height turnstile with sophisticated electronic control. Multi-function overhead sensors makes each passage to be comfortable, easy and save:

- Detect entering person and automatically start rotation
- Tailgating and crossover feature
- Monitor presence in forbidden zone and automatically reverse rotation to push a person back out of the zone



Modern control electronics enables easy setting of its turnstile operating mode and at the same time it ensures the communication with different types of access control systems.

- designed for main entrance and high security area
- full-height turnstile for access control of authorized personnel only
- it is available in different sizes
- it is determined for installation on the finished floor surface

Motor-drive unit of REXON-GLASS is characterised by high level of comfort, reliability and maintenance-free running:

- double-brake system for total security in combination with motor-drive unit
- automatically adapts rotation speed to the users
- provides a high level of safety - in the event the turnstile detects an obstruction it stops moving
- silent and fluent running
- smooth final phase of rotation

Materials and finish:

Frame: stainless steel profiles and stainless steel sheets

Roof: stainless steel profile frame covered by stainless steel sheet, thickness 1.5mm

Rotor: upper and bottom holders of self-supporting glass wings made of stainless steel

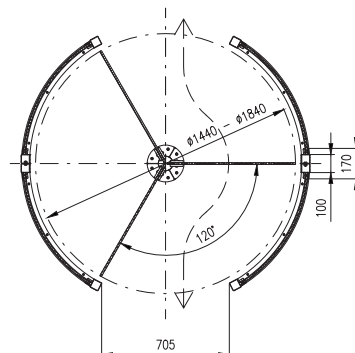
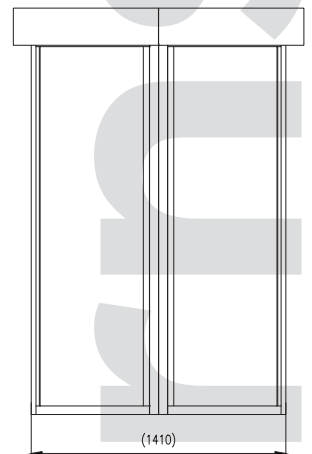
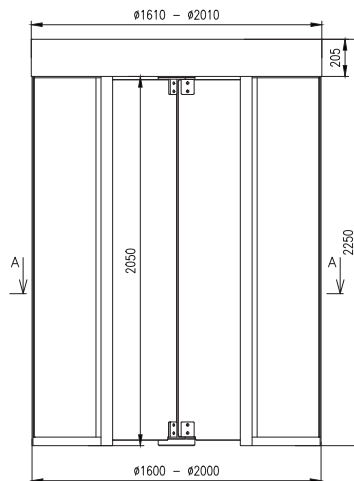
Glass wings: 10 mm tempered safety glass

Side glass panels: 10 mm curved laminated safety glass

Push-bar on wings (optional): stainless tube, diameter - 30 mm

Stainless steel finish:

- standard - brushed AISI 304
- optional - satin polish AISI 304





Interface:

Turnstiles are controlled by microprocessor control units that is equipped with high effective processor. Control electronics is equipped with extensive subsystem that enables the connection of many input and output devices, all of them are galvanically isolated.

- device operating by status signals, serial bus RS 485, USB or Ethernet (with external converter)
- configurable two-state outputs about turnstile status
- motor control by digital power bridges with overload protection and current measurement
- include generating log file with a list of all faults accompanied with time/date mark
- possibility of remote firmware upgrade
- wide range of configuration and diagnostics parameters for remote customization using T-CONF software
- full remote control of turnstile network including passage counters status shown on PC using T-MON program
- possibility to connect the supplementary ultrasonic, laser or infra-red sensors
- enables back up accumulator connection directly in the turnstile (supports charging, measuring and auto-switching for power supply from accumulator in case of power failure)
- connectors for all input/output signals for fast and easy installation, service and replacement
- top-quality control electronics enables high operational reliability

Operating modes:

If input signal from access control system or button controller is received it is possible to turn round the turnstile 120° and by that way enable the passing to one person.

For each way of direction it is possible to define the different operating modes:

1. free passage
2. controlled passage
3. permanently blocked

This setting can be set-up for any direction eventually for both directions at the same time.

BASIC TECHNICAL PARAMETERS

Table of drive unit electric parameters:

Type of drive unit	Rated supply voltage	Power consumption in basic operation modes		
		Standby mode break activated / break released		Transit mode
Motorised FAIL-LOCK	12VDC	3 W	12,5 W	25 W
Motorised FAIL-SAFE	12VDC	12,5 W	3 W	15 W

- standard range of working temperatures: +10°...+50°C
- range of working temperatures (with heating module) -25°...+50°C
- range of storage temperatures 0°...+50°C
- maximum relative humidity 80% (non-aggressive environment)
- MCBF: 3 000 000 cycles (number of cycles before error)

The number of passages, in dependence on type of control electronics, operating mode and the way of identification of passing people, rates between 15 to 30 persons per minute.

Increase of power supply on motor drive unit with automatic heating module is 24 W. The power supply can be also increased by using optional accessories.

ACCESSORIES

Holders for accessories:

Holders for placing of identification readers or other accessories (for example: LED information panel).

Lighting:

Lighting of turnstile interior.

Traffic-Light information panel:

- information about the turnstile accessibility in set direction
- information about transit permission based on evaluation by access control system

Anchoring frame:

Steeley frame to fix the turnstile for example through the stone block paving.

Touch control panel:

- animation of identification card alarming necessary identification of the passing person
- information about the turnstile accessibility in set direction
- information about transit permission based on evaluation by access control system
- information about reading of invalid identification card

Back-up accumulator:

During a power failure the accumulator ensures the turnstile continuous operation for a period of minimally 6 hours. It is possible to use two backup modes.

- accumulator in external power supply unit (back up > 6 hours)
- accumulator inside the turnstile (emergency back up about 30 minutes in case of feed cables disconnection)

Counter:

- included in program T-MON
- it is possible to connect the external counter

Identification systems:

In order to identify the passing people, it is possible to connect to these turnstiles REXON-GLASS any type of identification terminal.

Software accessories:

COMMUNICATION CLIENT - software that enables the connection of turnstile network with PC. This program runs on the background (its activity is hidden) and enables to any PC with valid authority to make setting and control the turnstile network.

T-MON - program that enables to control the turnstile system from any PC with valid authorization in customer's network. Remote control of the same turnstile is possible from different PC at the same time. It is fully graphic application that can be used even with touchscreen monitors.

T-CONF - program that enables to change the turnstile configuration, configuration backup, record new configuration, error report and vyvustit z textu firmware upgrade. It is localized to many world languages. It is possible remotely connect to any turnstile through Internet after fulfilment of all network qualifications.